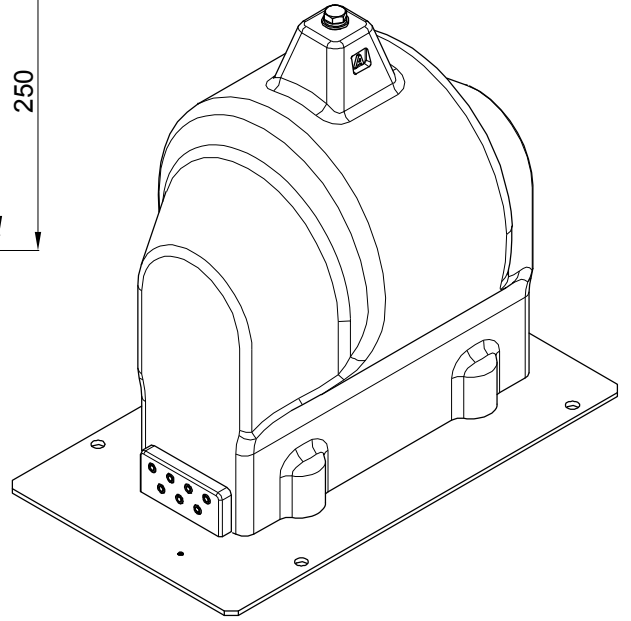


ORJİNALDİR  
TEKNİK BÜRO  
Tarih 16 / 10 / 20 14



SCREW	Tightening Torque Nm
M5	2-2,5
M8	16-20
M10	40-50

QTY	DESCRIPTION	POS	DIMENSIONS	WEIGHT	PART OR DIN NO.	Cast-resin MATERIAL			
	NO	DATE	NAME	MODIFICATION					
					05-02-14	PLATE CODE 3008464			
	TOLERANCES	VK36 VOLTAGE TRANSFORMER			BOX CODE	3003001	REV.		
	DIN ISO 2768-g				372			-	
	SCALE								
	1/1	REPLACES THE DRAWING NO.			DR'N				
		 <b>OG Ölçü Trafo</b>			CH'D				
					APP'D				
					C.C	MT			